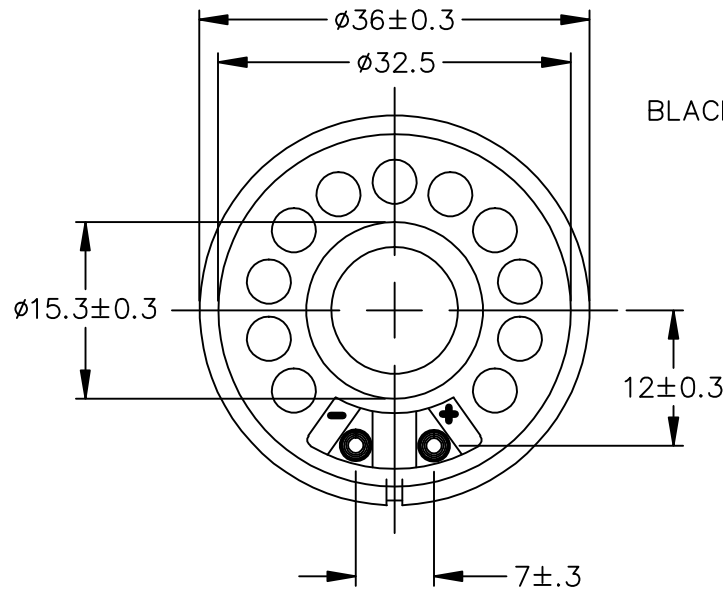


THIS DOCUMENT CONTAINS DATA PROPRIETARY TO PROJECTS UNLIMITED, INC. ANY USE OR REPRODUCTION, IN ANY FORM, WITHOUT PRIOR WRITTEN PERMISSION OF PROJECTS UNLIMITED, INC. IS PROHIBITED.  
 ©2005, Projects Unlimited Inc.

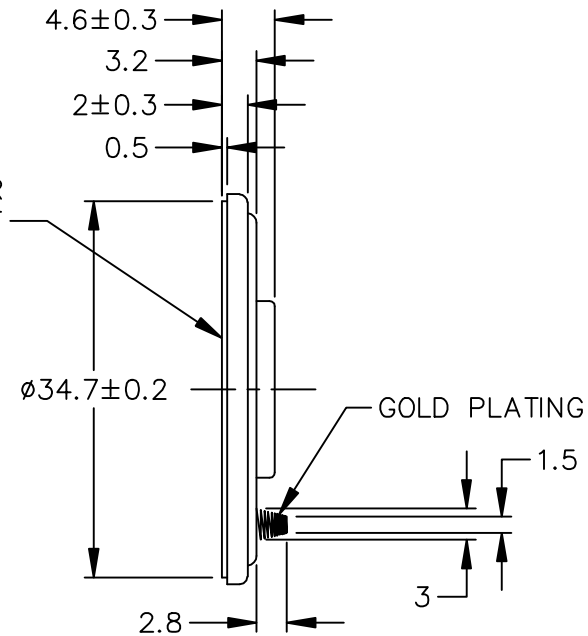
### SPECIFICATIONS

PARAMETERS	VALUES	UNITS
RATED INPUT POWER	1	W
MAX INPUT POWER	1.5	W
IMPEDANCE	8±15%	OHM
OUTPUT SPL @ 0.1W/0.1M (AT 0.8, 1.0, 1.2, 1.5, kHz)	91±3	dBA
DISTORTION (MAX.)	5%	-
RESONANT FREQUENCY	500±20%	Hz
FREQUENCY RANGE	500 ~ 4500	Hz
HOUSING MATERIAL	METAL	-
CONE MATERIAL	MYLAR	-
MAGNET MATERIAL	N38	-
OPERATING TEMPERATURE	-20 ~ +60	°C
WEIGHT	12	grams

REVISIONS			
LTR	DESCRIPTION	DATE	APPROVED
-	RELEASED FROM ENGINEERING	1/2/07	
A	REVISED DIMENSIONS	7/3/07	D.F.



BLACK PEPPER GASKET



projects®  
unlimited

Dayton, Ohio

## SPEAKER

#### NOTES:

1. ALL DIMENSIONS ARE IN MILLIMETERS.
2. SPECIFICATION SUBJECT TO CHANGE OR WITHDRAWAL WITHOUT NOTICE.
3. THIS PART IS RoHS 2002/95/EC COMPLIANT.

UNLESS OTHERWISE SPECIFIED:  
DIMENSIONS ARE IN MILLIMETERS, TOLERANCES ARE  $\pm 0.5$  AND ANGLES ARE  $\pm 3^\circ$ .

APPROVALS	DATE
DRAWN J.D.	1/07
CHECKED D.F.	1/07
APPROVED R.W.	1/07

SIZE  
A

DRAWING NO.  
AS03608MR-SC-R

FILE NAME  
AS03608MR-SC-R.DWG

DO NOT SCALE DRAWING

SCALE: N.T.S.

SHEET 1 OF 1